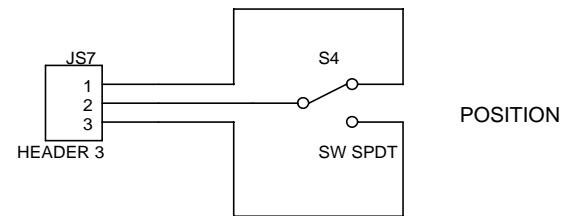
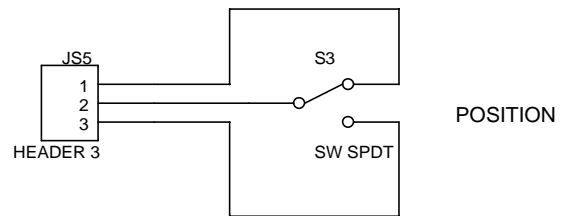
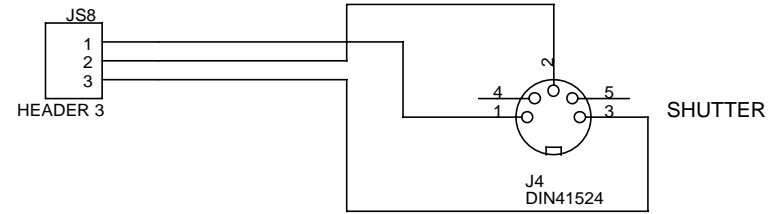
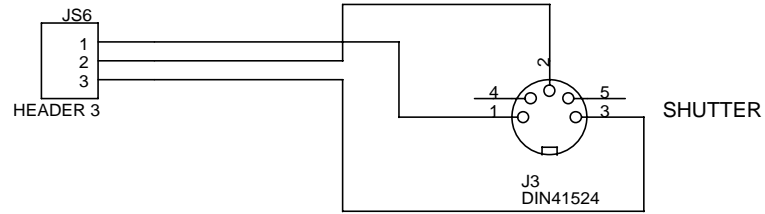
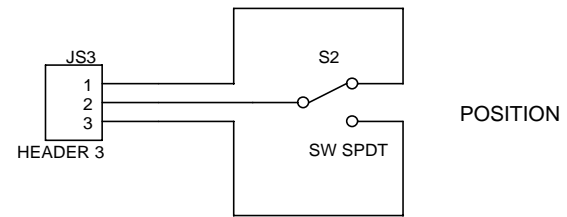
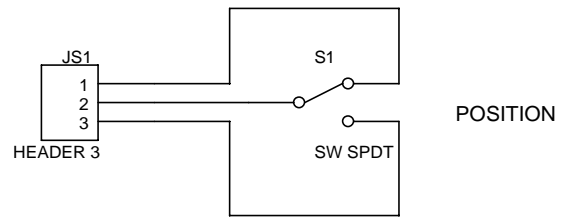
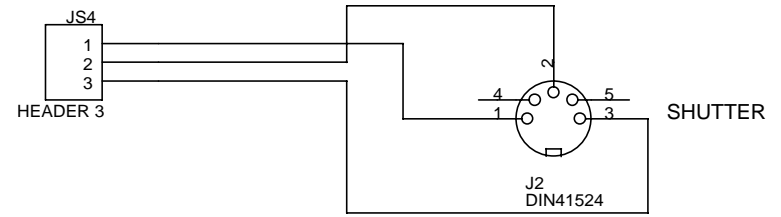
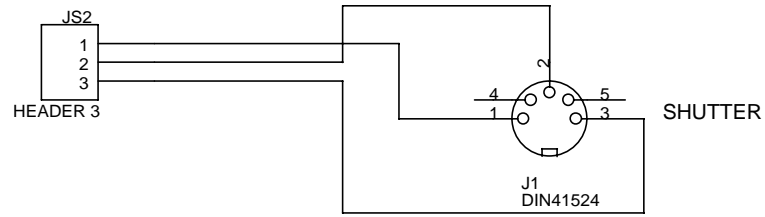
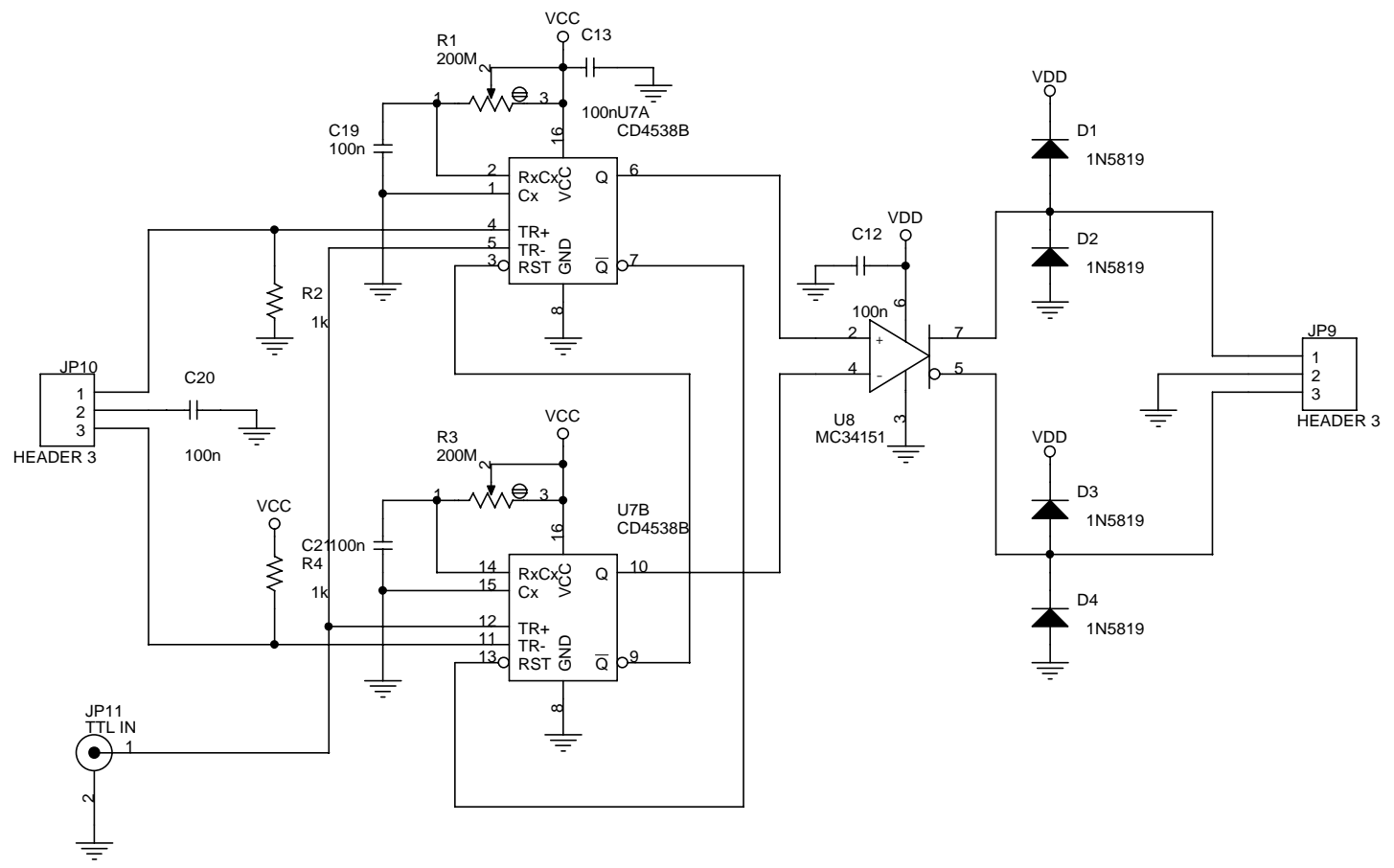


Attenzione! - Montare soltanto in mancanza della tensione di alimentazione +5V

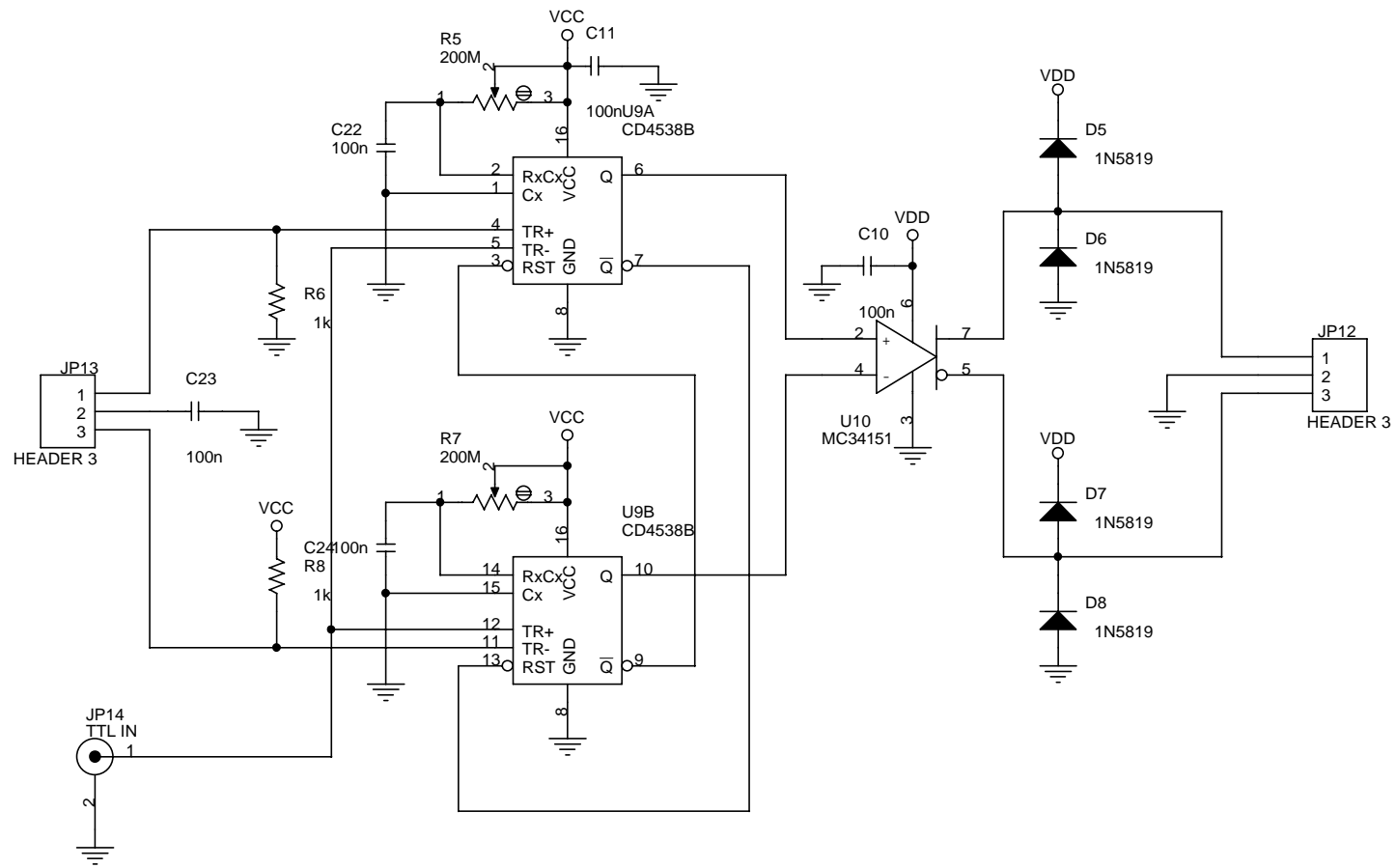
Title		
Quad Bipolar Shutter Driver		
Size	Document Number	Rev
A4	Quad Bipolar Shutter Driver/Shutter Driver Board/4_Canali.sch	0.1
Date:	Monday, May 04, 2009	Sheet 1 of 5



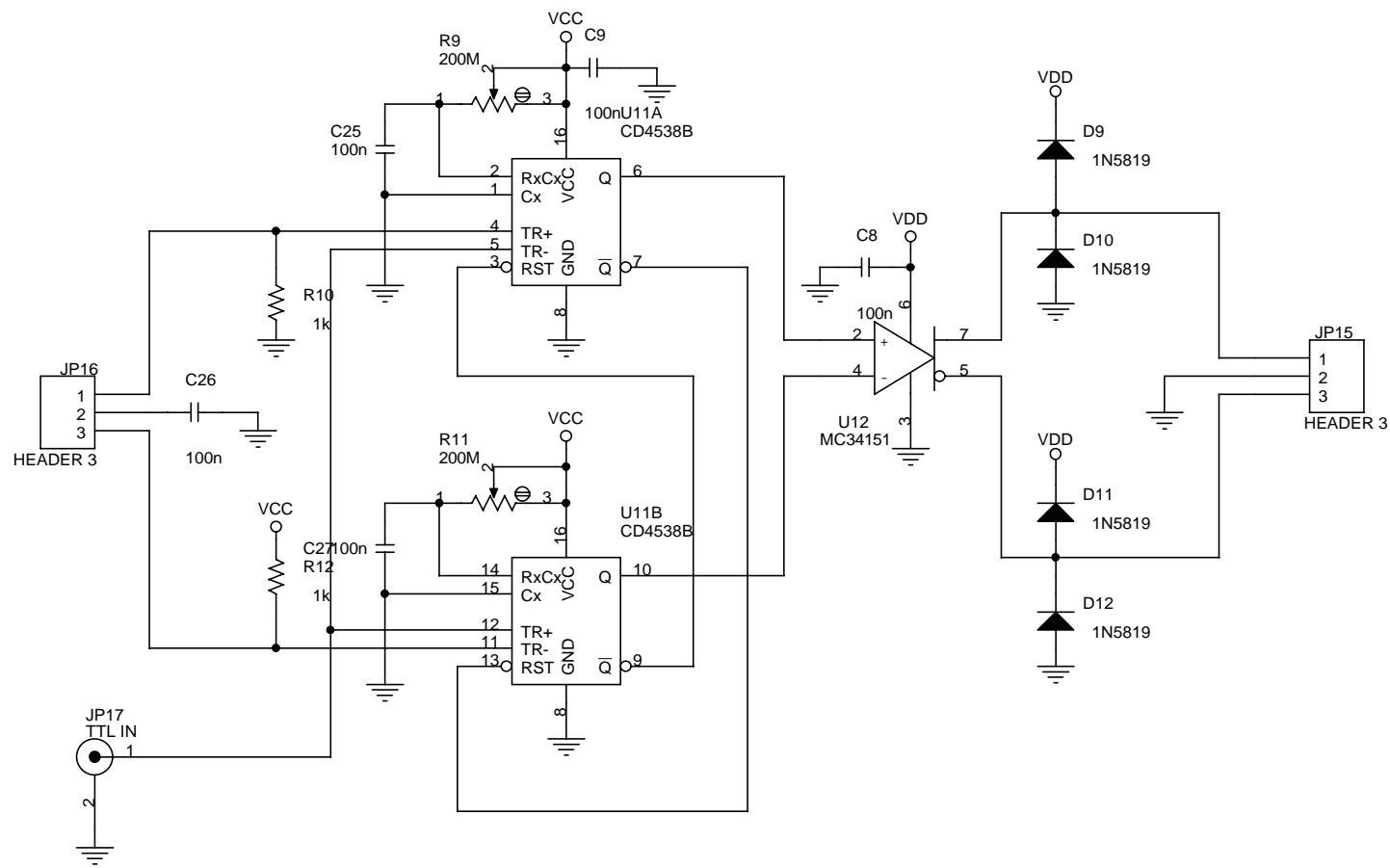
Title		
Quad PWM Shutter Controller		
Size	Document Number	Rev
A4	Quad Bipolar Shutter Driver/Frontpanel/Front_Panel.SCH	0.1
Date:	Monday, May 04, 2009	Sheet 1 of 4



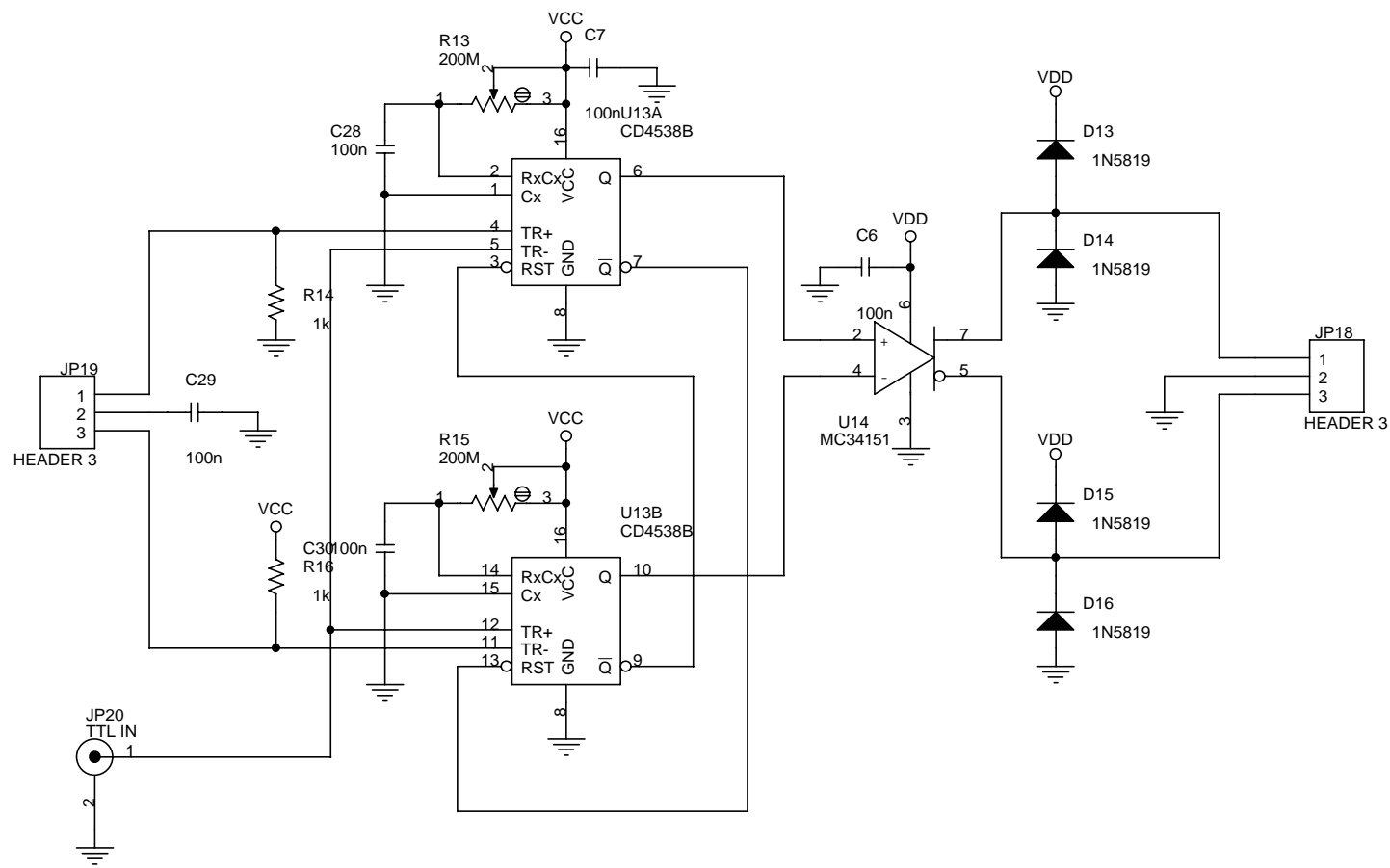
Title		
Quad Bipolar Shutter Driver		
Size	Document Number	Rev
A4	Quad Bipolar Shutter Driver/Channels/channel.sch	00
Date:	Monday, May 04, 2009	Sheet 1 of 1



Title		
Quad Bipolar Shutter Driver		
Size	Document Number	Rev
A4	Quad Bipolar Shutter Driver/Channels/channel.sch	00
Date:	Monday, May 04, 2009	Sheet 1 of 1



Title		
Quad Bipolar Shutter Driver		
Size	Document Number	Rev
A4	Quad Bipolar Shutter Driver/Channels/channel.sch	00
Date:	Monday, May 04, 2009	Sheet 1 of 1



Title		
Quad Bipolar Shutter Driver		
Size	Document Number	Rev
A4	Quad Bipolar Shutter Driver/Channels/channel.sch	00
Date:	Monday, May 04, 2009	Sheet 1 of 1