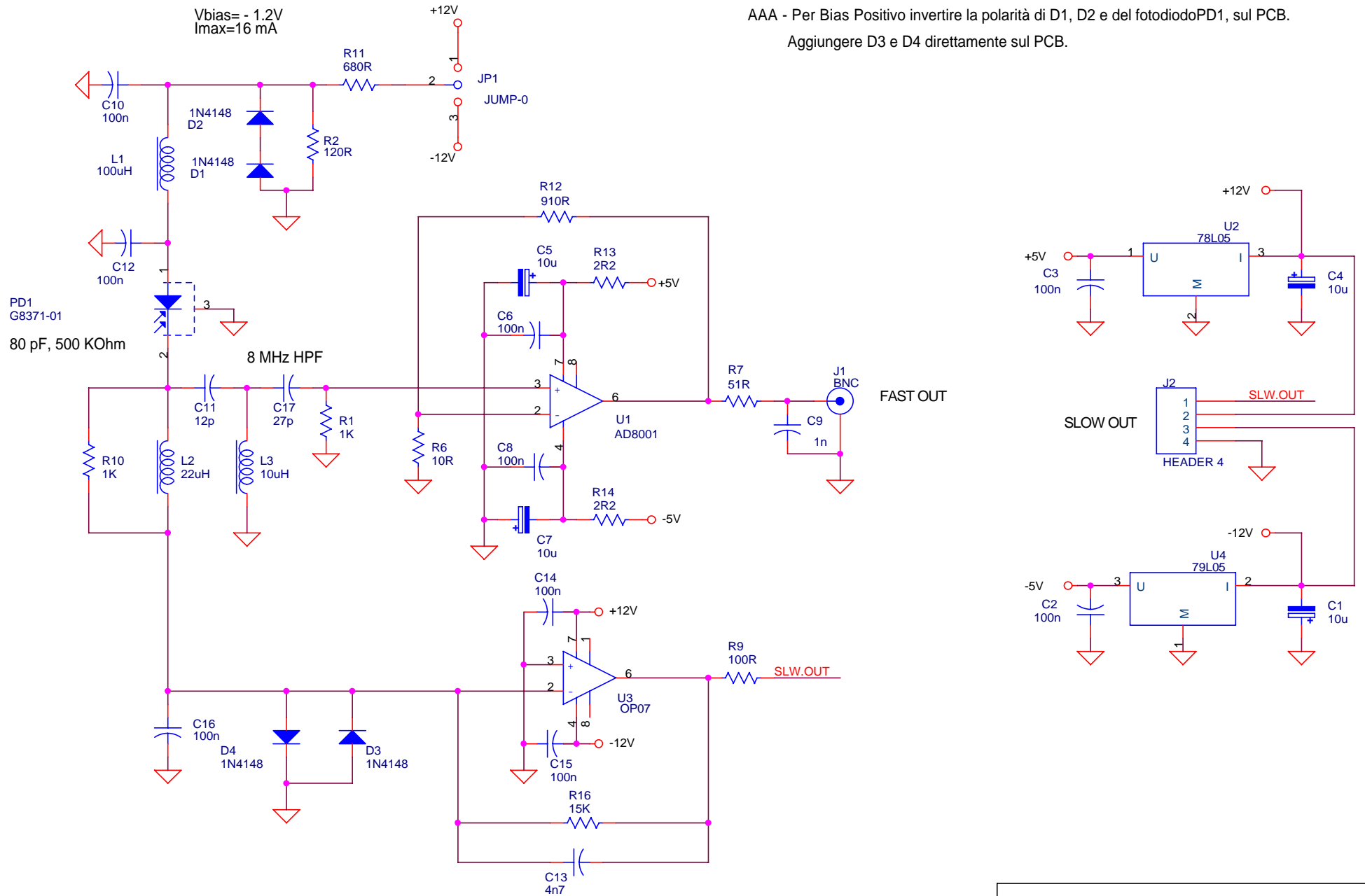


AAA - Per Bias Positivo invertire la polarità di D1, D2 e del fotodiolo PD1, sul PCB.
 Aggiungere D3 e D4 direttamente sul PCB.



Title		
Fast/ Slow Photodiode Amplifier		
Size	Document Number	Rev
A4	F/S_PHOTODIODE	3.0
Date:	Tuesday, August 03, 2010	Sheet 1 of 1

Fast/ Slow Photodiode Amplifier Revised: Monday, July 02, 2012
 F/S_PHOTODIODE Revision: 3.0

Bill Of Materials July 2,2012 15:05:06 Page1

Item	Quantity	Reference	Description Part	Value
1	4	C1,C4,C5,C7	Cond. Tant. 25V	10u
2	9	C2,C3,C6,C8,C10,C12,C14, C15,C16	Cond. Cer. 50V	100n
3	1	C9	Cond. Cer. 50V	1n
4	1	C11	Cond. Cer. 50V	12p
5	1	C13	Cond. Cer. 50V	4n7
6	1	C17	Cond. Cer. 50V	27p
7	4	D1,D2,D3,D4	Diode 1N4148	
8	1	JP1	Connettore M da C.S p.2.54	JUMP-0
9	1	J1	Connettore SMA da C.S.	SMA
10	1	J2	Connettore M da C.S p.2.54	HEADER 4
11	1	L1	Induttanza	100uH
12	1	L2	Induttanza	22uH
13	1	L3	Induttanza	10uH
14	1	PD1	Fotdiode	G8371-01
15	2	R1,R10	Res. 0.25W 1% 1K	
16	1	R2	Res. 0.25W 1% 120R	
17	1	R6	Res. 0.25W 1% 10R	
18	1	R7	Res. 0.25W 1% 51R	
19	1	R9	Res. 0.25W 1% 100R	
20	1	R11	Res. 0.25W 1% 680R	
21	1	R12	Res. 0.25W 1% 910R	
22	2	R14,R13	Res. 0.25W 1% 2R2	
23	1	R16	Res. 0.25W 1% 15K	
24	1	U1	Circ. Integrato AD8001	
25	1	U2	Circ. Integrato 78L05	
26	1	U3	Circ. Integrato OP07	
27	1	U4	Circ. Integrato 79L05	