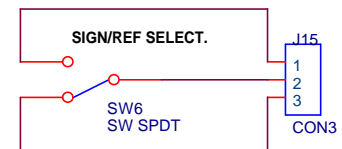
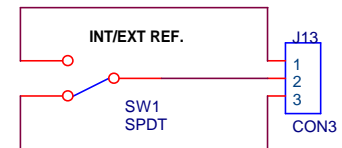
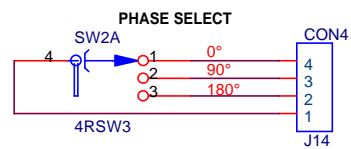
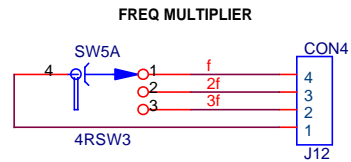
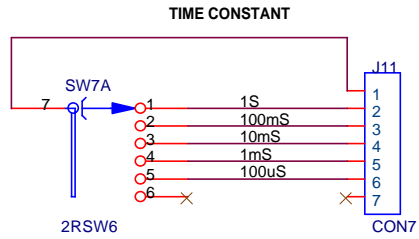


**GAIN**  
 G6=1000  
 G5=500  
 G4=100  
 G3=50  
 G2=10  
 G1=5



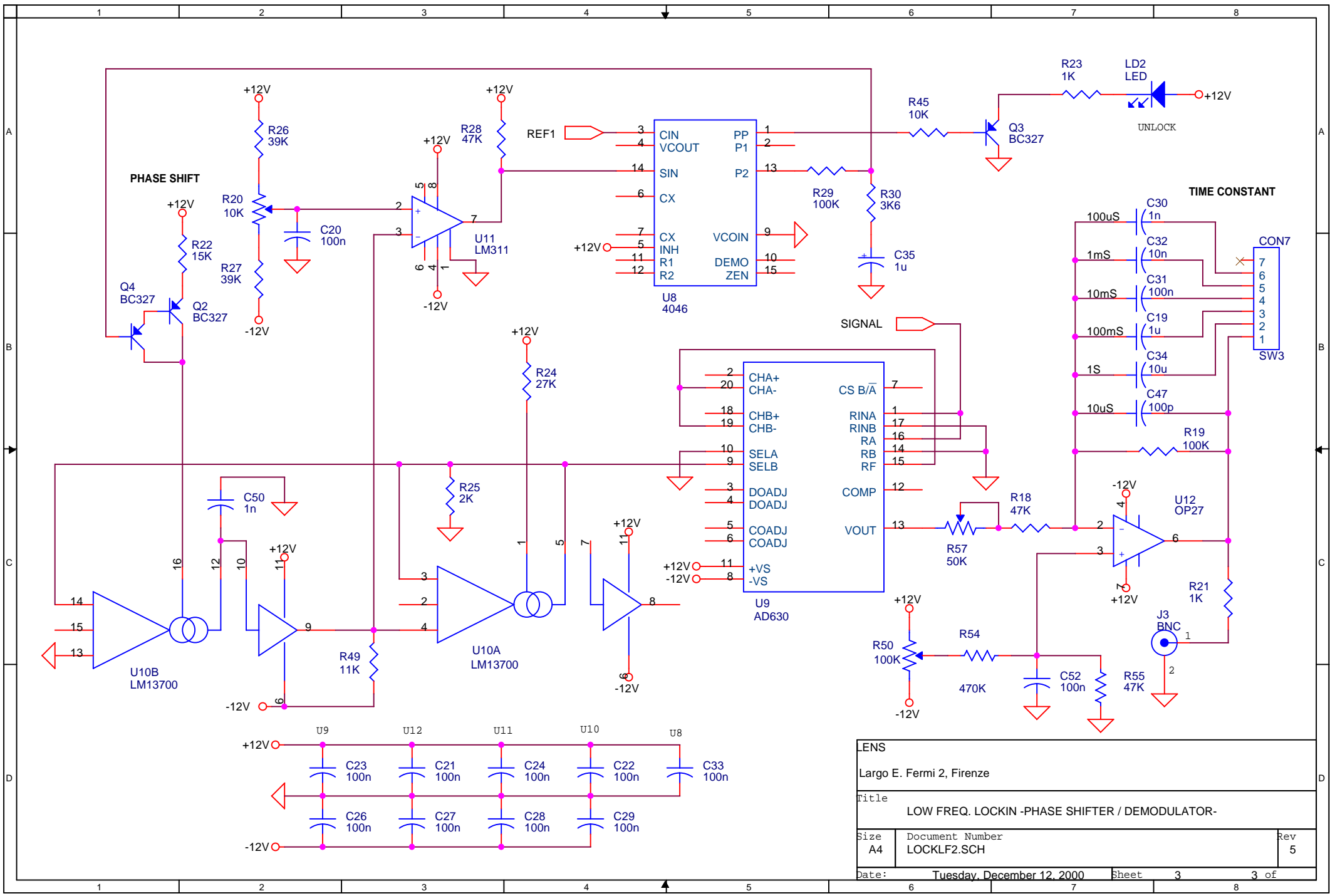
LENS - University of Florence -

Largo E. Fermi, 2  
 <OrgAddr2>  
 <OrgAddr3>  
 <OrgAddr4>

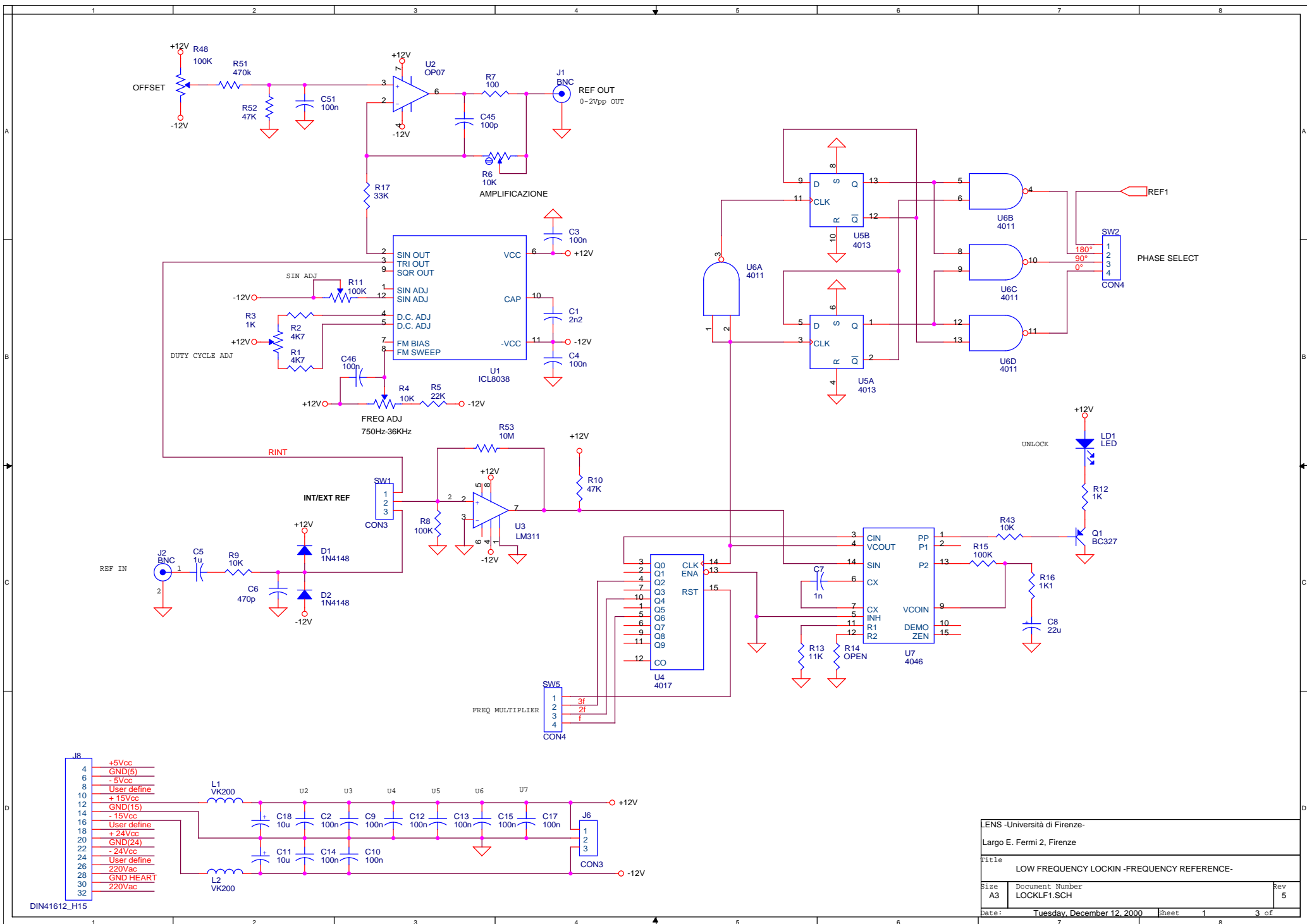
Title  
 CABLAGGIO SCHEDA / PANNELLO FRONTALE

Size A4	Document Number LOCKLF.SCH	Rev <RevCode>
------------	-------------------------------	------------------

Date: Tuesday, January 20, 2004 Sheet 1 of 1

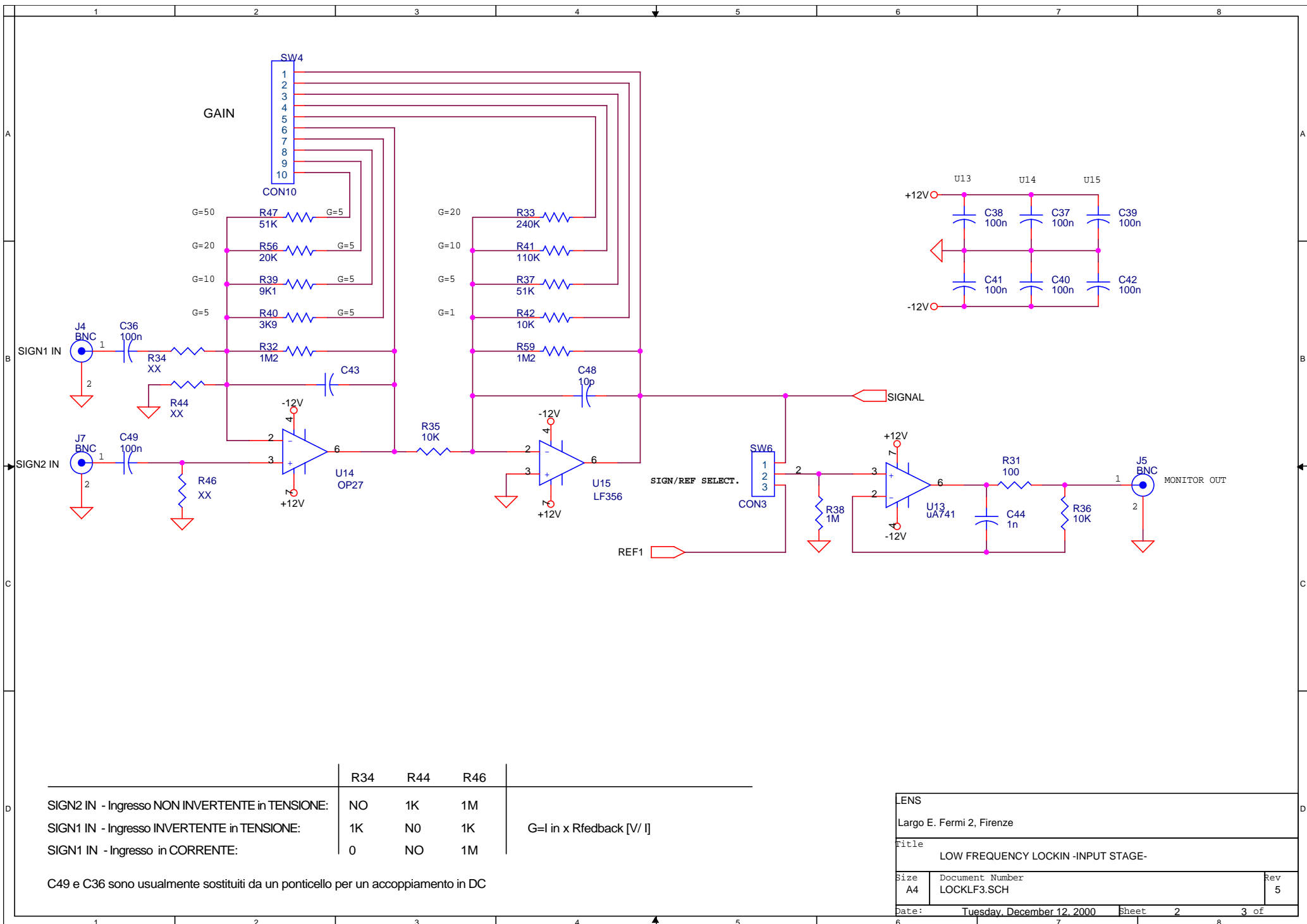


LENS		
Largo E. Fermi 2, Firenze		
Title		
LOW FREQ. LOCKIN -PHASE SHIFTER / DEMODULATOR-		
Size	Document Number	Rev
A4	LOCKLF2.SCH	5
Date:	Tuesday, December 12, 2000	Sheet
		3 of



DIN41612\_H15

LENS - Università di Firenze -		
Largo E. Fermi 2, Firenze		
Title LOW FREQUENCY LOCK - FREQUENCY REFERENCE -		
Size A3	Document Number LOCKLF1.SCH	Rev 5
Date: Tuesday, December 12, 2000		Sheet 1 of 3



	R34	R44	R46	
SIGN2 IN - Ingresso NON INVERTENTE in TENSIONE:	NO	1K	1M	G=I in x Rfeedback [V/ I]
SIGN1 IN - Ingresso INVERTENTE in TENSIONE:	1K	NO	1K	
SIGN1 IN - Ingresso in CORRENTE:	0	NO	1M	

C49 e C36 sono usualmente sostituiti da un ponticello per un accoppiamento in DC

LENS		
Largo E. Fermi 2, Firenze		
Title LOW FREQUENCY LOCKIN -INPUT STAGE-		
Size A4	Document Number LOCKLF3.SCH	Rev 5
Date: Tuesday, December 12, 2000	Sheet 2	3 of 8