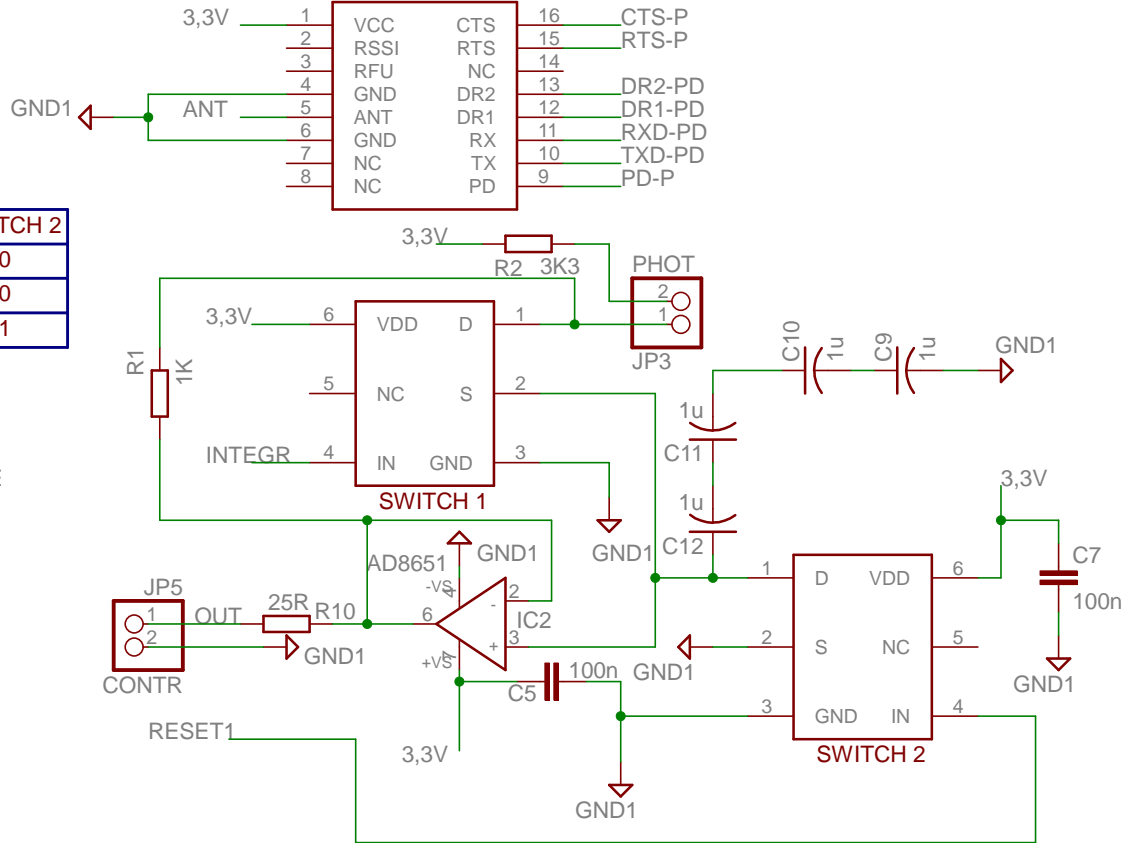


	SWITCH 1	SWITCH 2
INT	1	0
HOLD	0	0
RESET	0	1



POWER SUPPLY PHOTODIODE

