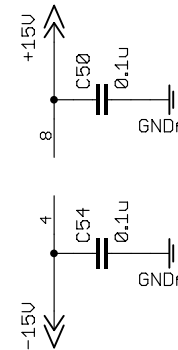
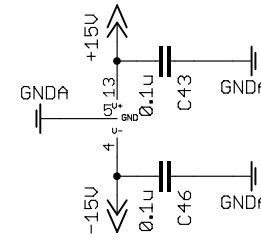
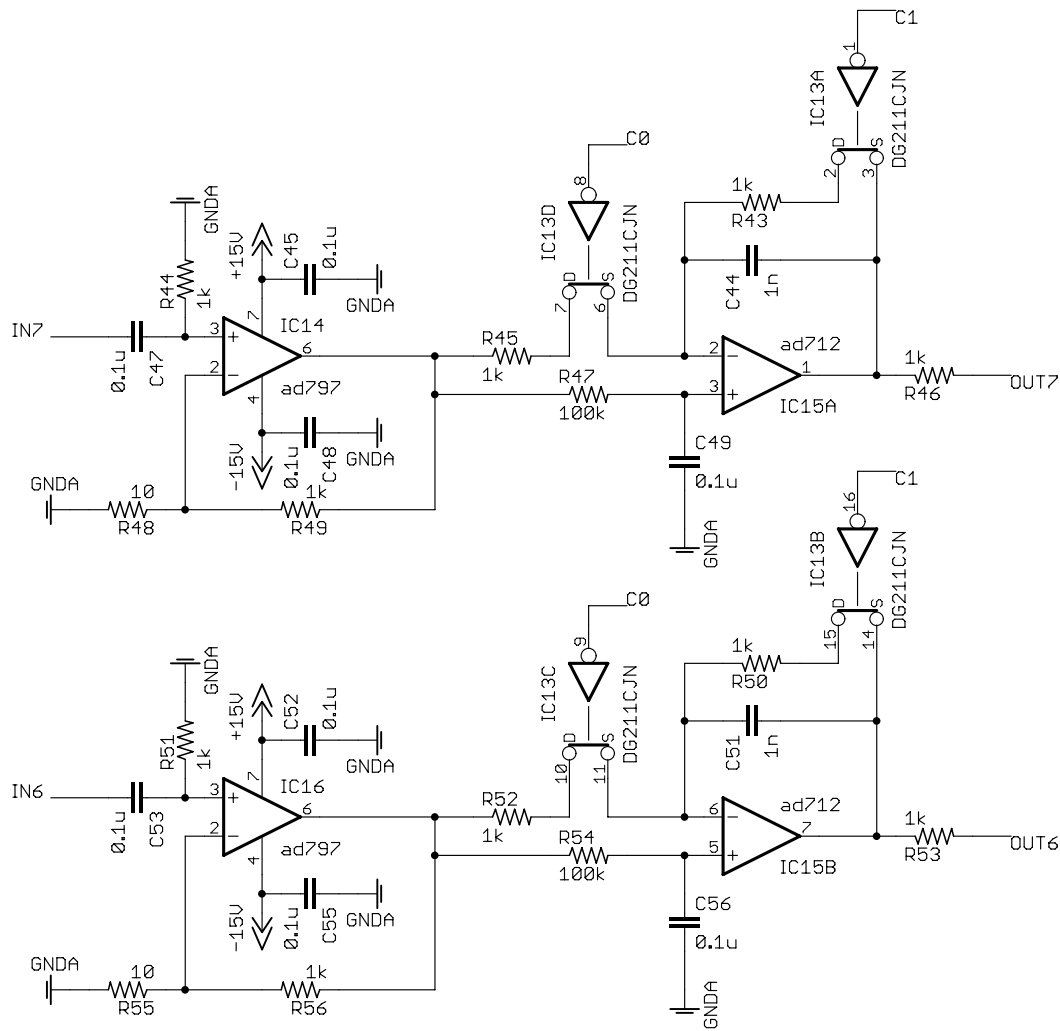


Preamp. and gated integrator channels 0 and 1	
TITLE: mctr2	
Document Number:	REV:
Date: 28/01/2004 10.58.52	Sheet: 1/5



preamp. and gated integrator channels 6 and 7

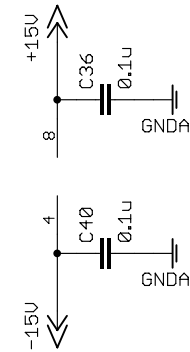
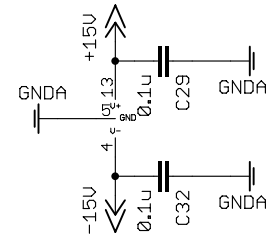
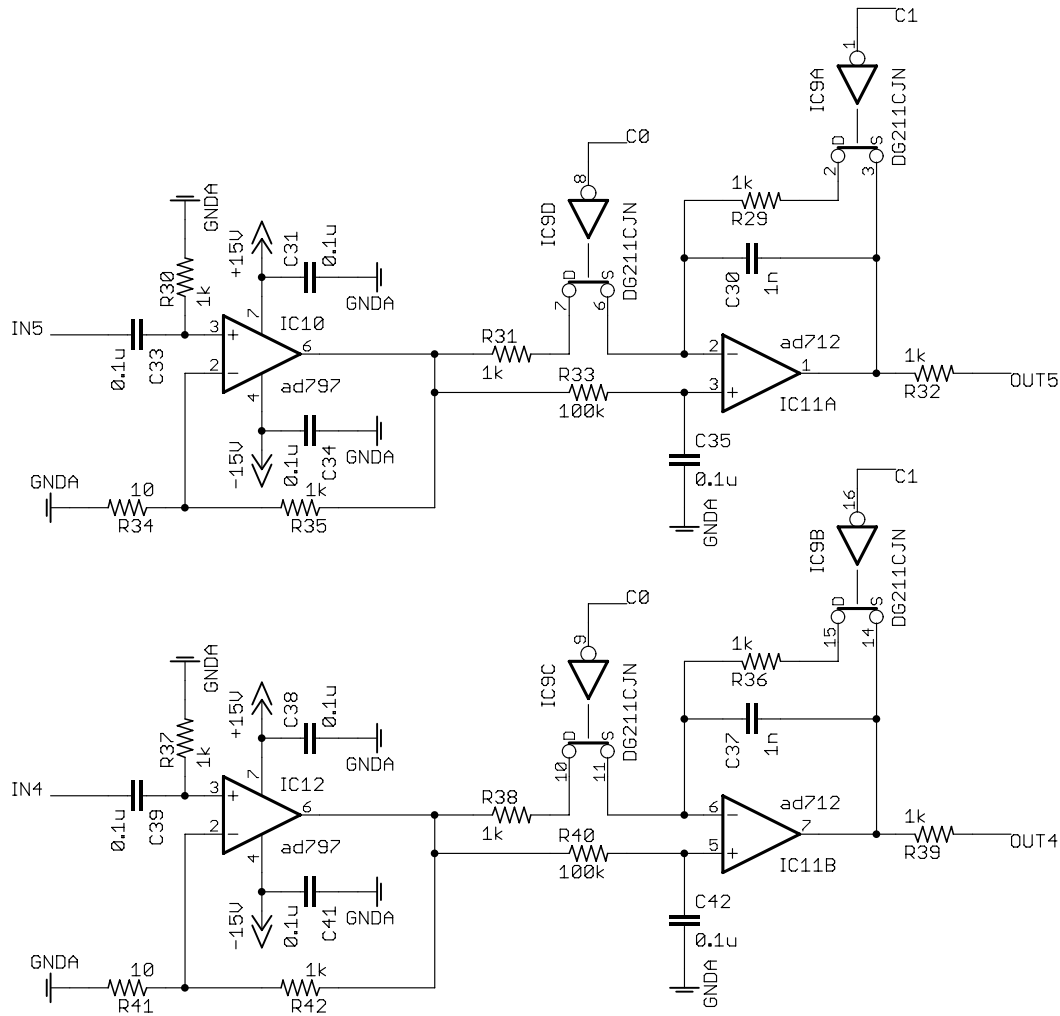
TITLE: mctr2

Document Number:

REV:

Date: 28/01/2004 10.58.52

Sheet: 4/5



preamp. and gated integrator channels 4 and 5

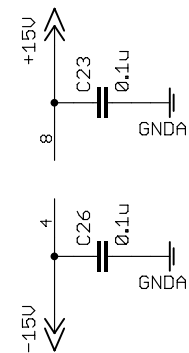
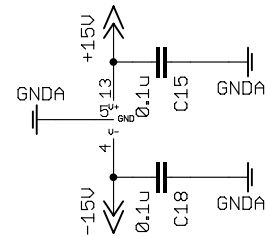
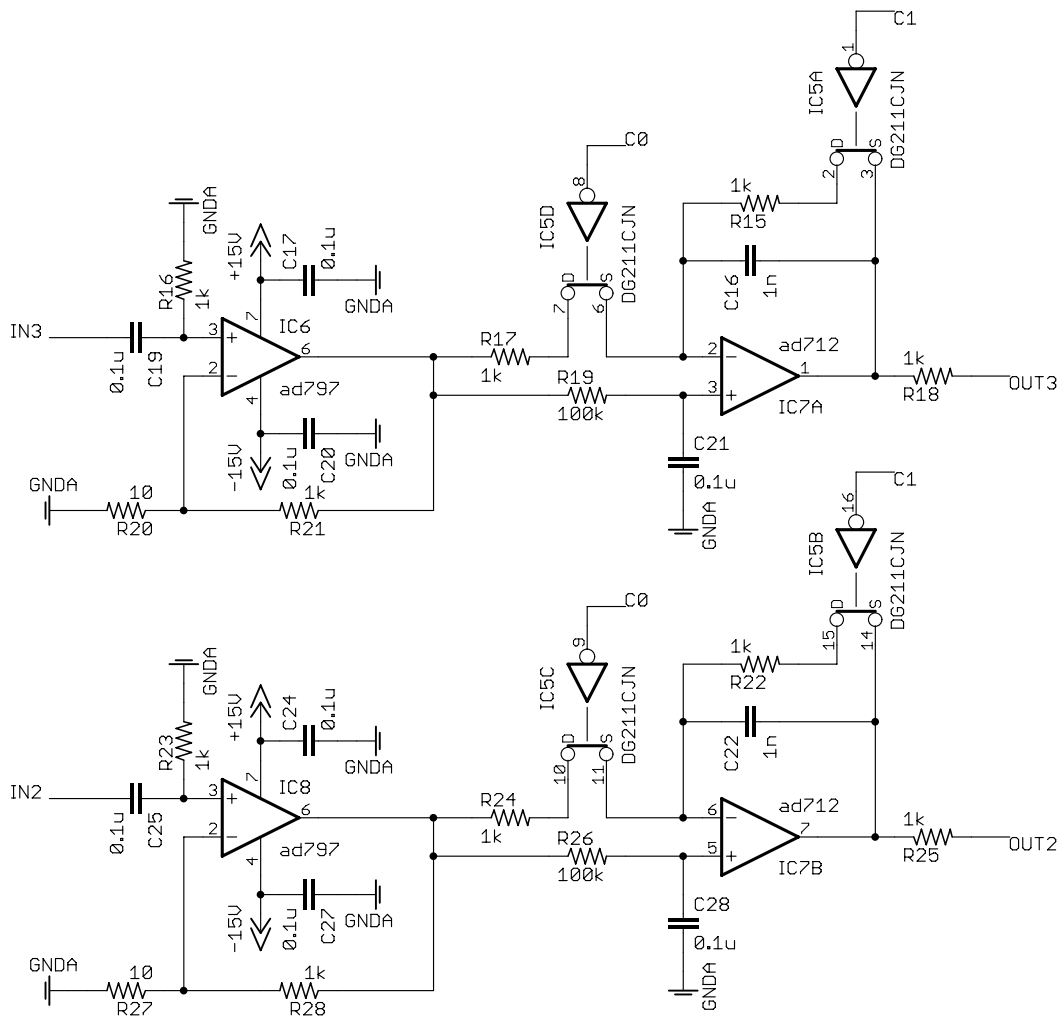
TITLE: mctr2

Document Number:

REV:

Date: 28/01/2004 10.58.52

Sheet: 3/5



preamp. and gated integrator channels 2 and 3

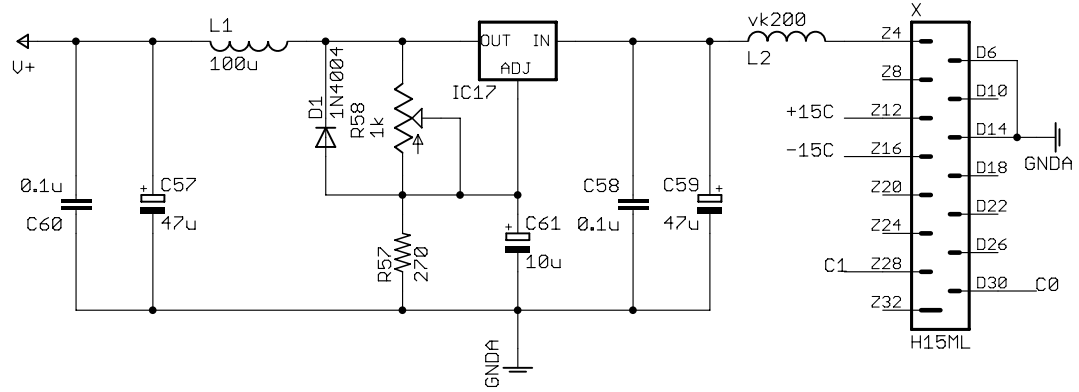
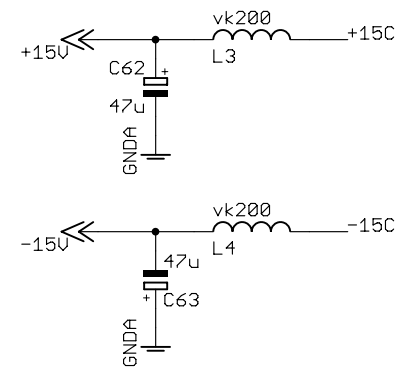
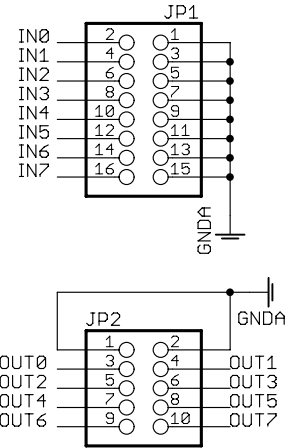
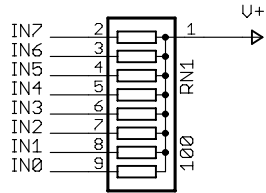
TITLE: mctr2

Document Number:

REV:

Date: 28/01/2004 10.58.52

Sheet: 2/5



preamp. and gated integrator I/O connectors	
TITLE: mctr2	
Document Number:	REV:
Date: 28/01/2004 10.58.52	Sheet: 5/5