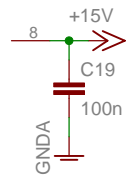
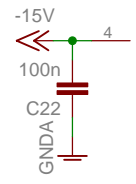
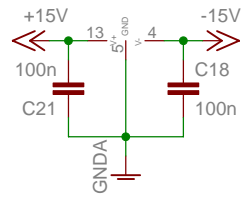
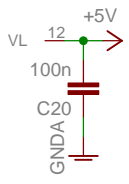
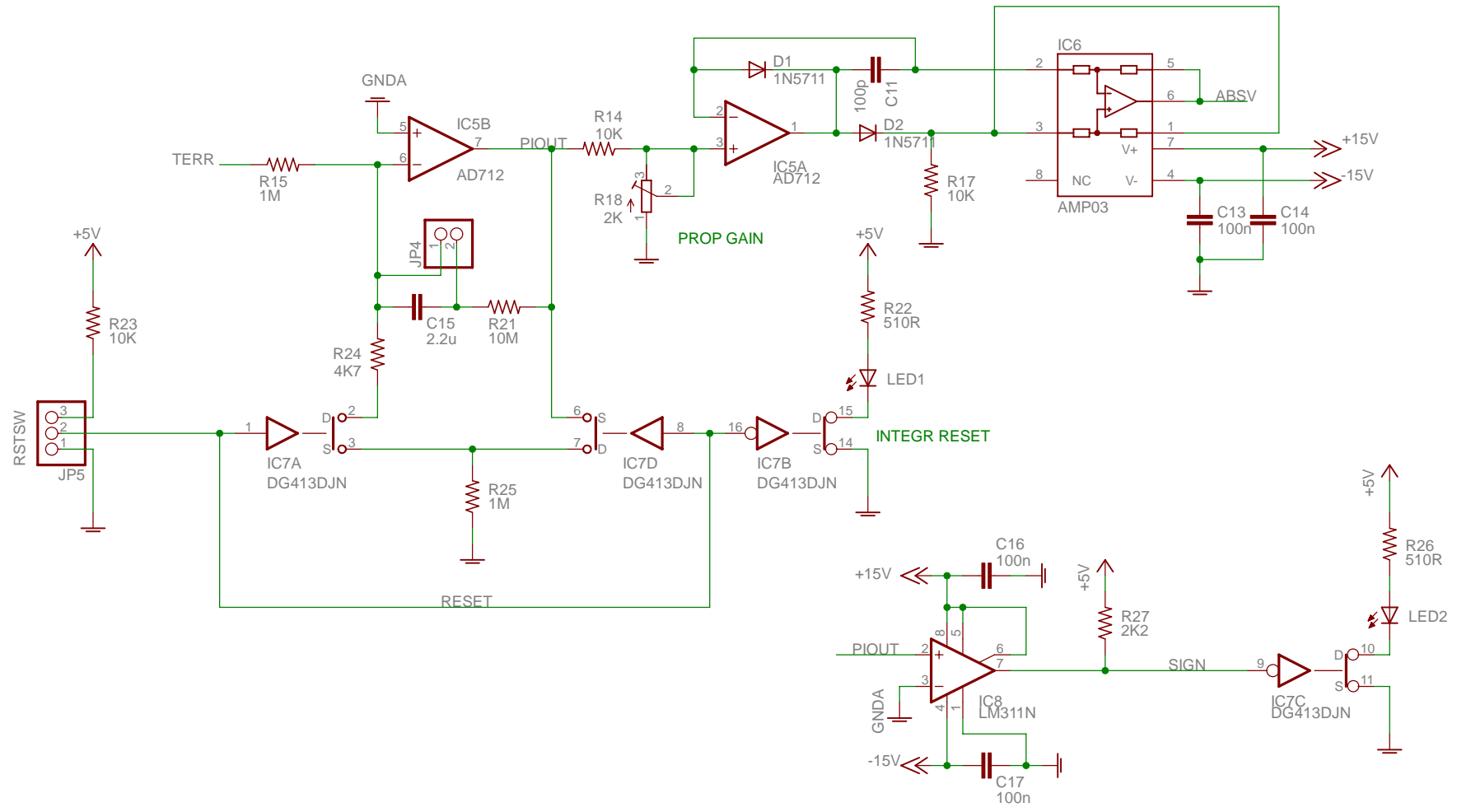
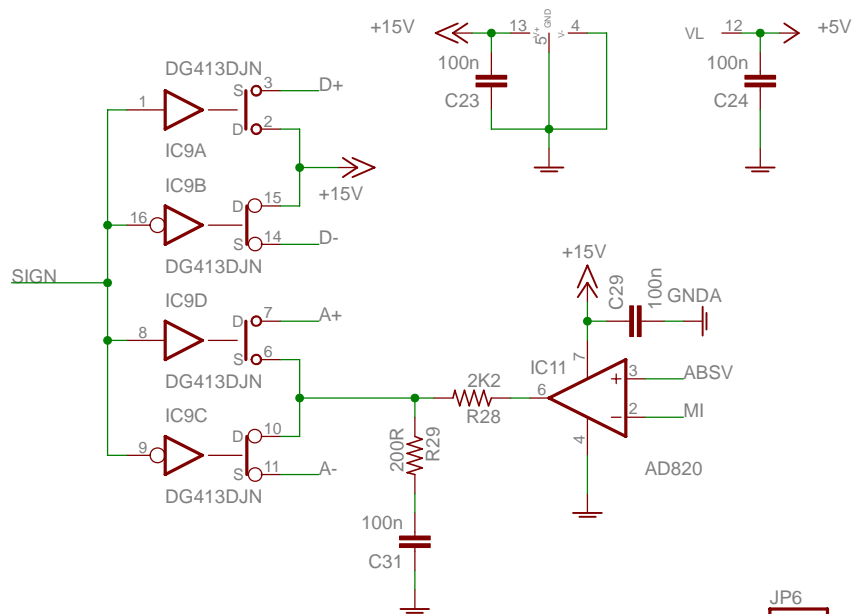


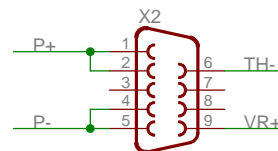
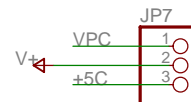
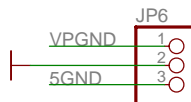
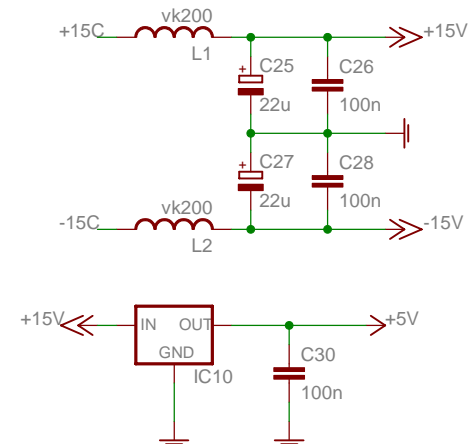
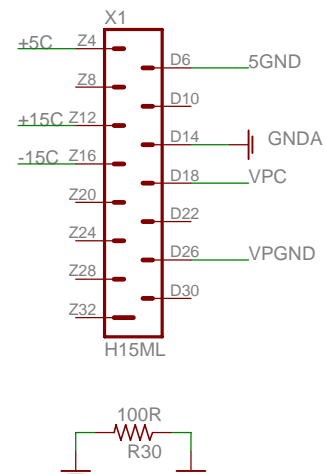
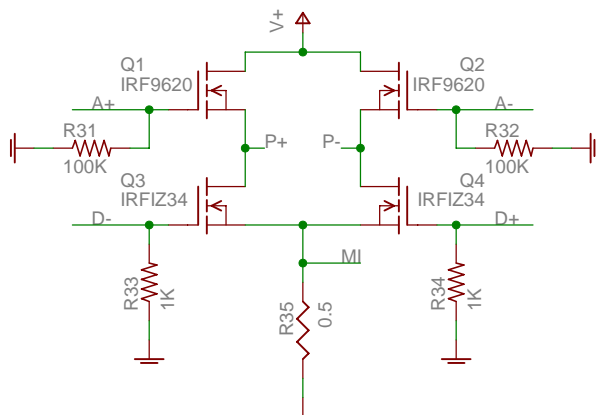
Vref, bridge & window comp.	
TITLE: tc3r4g	
Document Number:	REV:
Date: not saved!	Sheet: 1/3



PI and current limit	
TITLE: tc3r4g	
Document Number:	REV:
Date: not saved!	Sheet: 2/3



H Bridge



TITLE: tc3r4g	
Document Number:	REV:
Date: not saved!	Sheet: 3/3